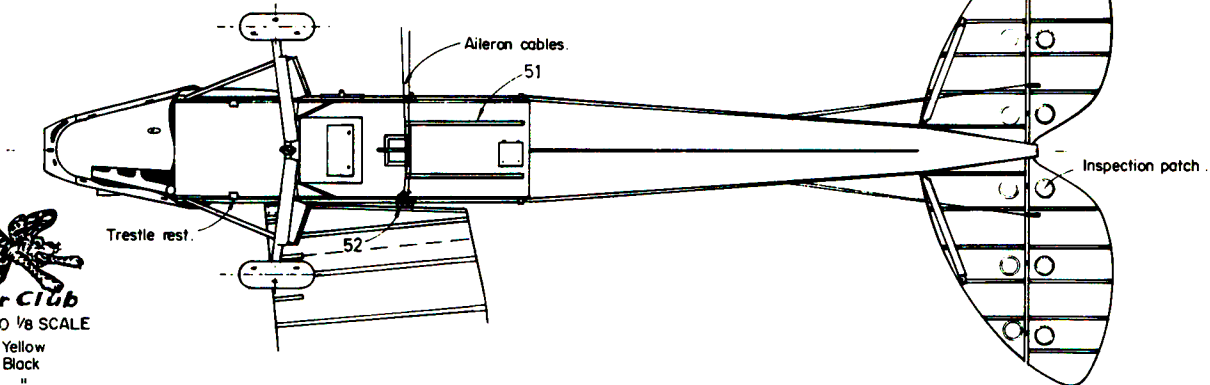
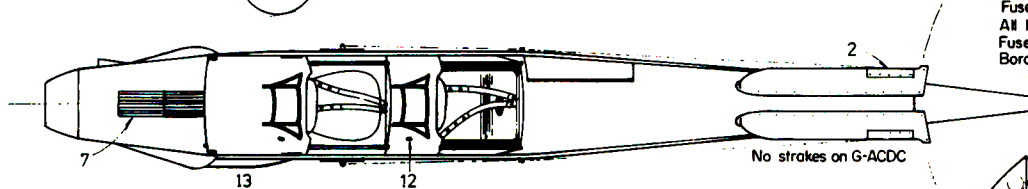


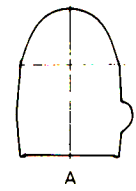
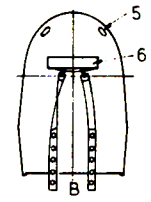
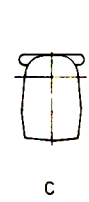
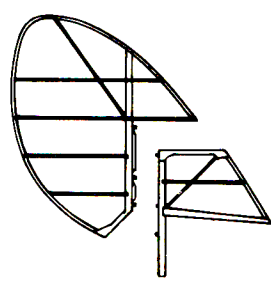
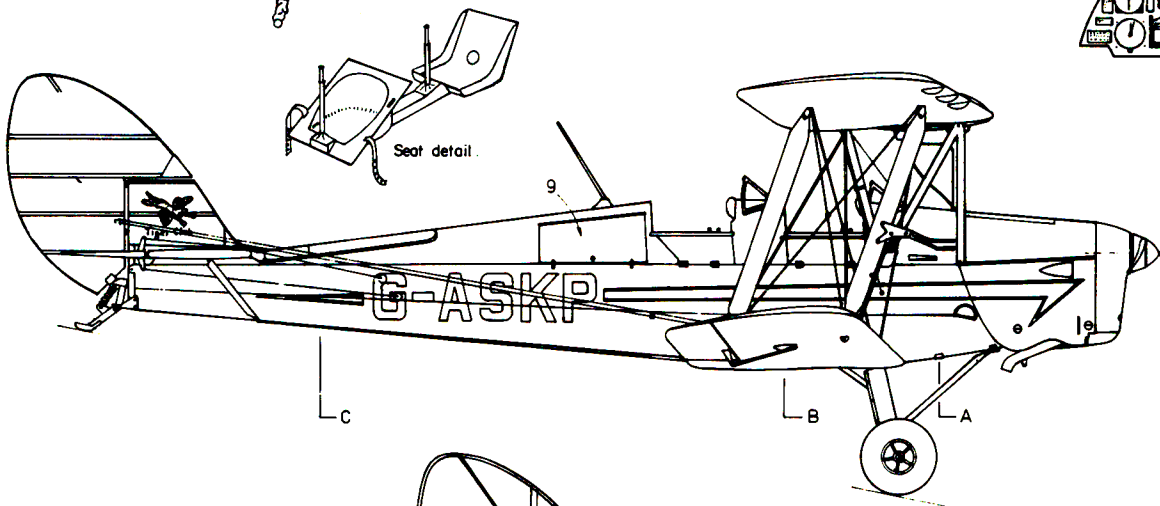
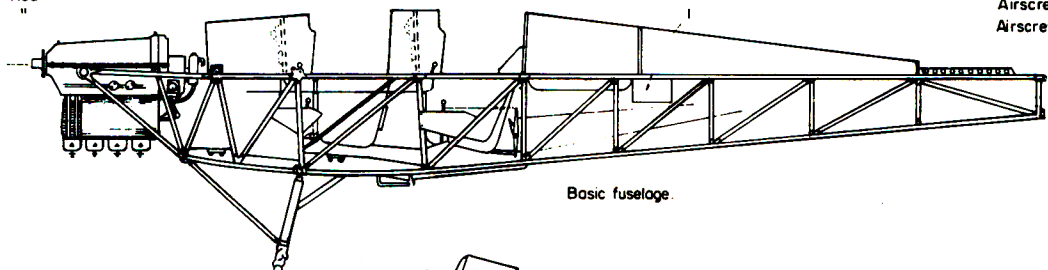
COLOUR DETAILS

G-ACDC	
Fuselage, all struts, wing lettering,	Dark Red
All flying surfaces & fuel tank	Silver
Fuselage lettering	White
Wheel discs	Silver
G-ASKP	
Chrome yellow overall except	
Interplane struts.	Mid. Blue
Fuselage stripes.	"
All lettering	"
Fuselage underside & U/C legs	Black
Border of fuselage stripe	White



Tiger Club
 BADGE TO 1/8 SCALE
 Tiger Yellow
 Stripes Black
 Wings " "
 Wing spots White
 Tongue Red
 Lettering " "

Cockpit interior - - - - - Dull Green.
 Airscrews - - - - - Grey
 Airscrew tips. - - - - - Yellow.



Acknowledgements
 George Cox for the original drawings,
 Peter Harrison, Maurice Brett, Stuart
 McKay, M. Gambrell and M.J. Abbott for
 additional detail and checking - and to all
 Tiger Moth owners for keeping them flying.